

Certified Mining & Construction always has a wide array of equipment for sale or rent to help meet your needs.

Call us today at 306-384-8593



CERTIFIED
MINING & CONSTRUCTION
SALES & RENTALS

WWW.CERTIFIEDSALESANDRENTALS.COM

CHAIN HOISTS

We have the right Hoist for your job.

Standard Features

- Meets all pertinent world standards.
- Lightweight high strength grade 100 alloy steel load chain.
- High strength steel frame and gear case built to be durable for the rugged needs of construction and maintenance rigging.
- Heat-treated spur gear efficiently designed to provide smooth load handling and low hand chain pull.
- Reinforced double pawl brake system and larger diameter pawl springs ensure reliable brake.
- Open frame design for self-cleaning, quick load sheave inspection and easy hoist maintenance.
- CMC maintains a large fleet of rental hoists.
- All hoists have a valid test certificate.
- All hoists are meticulously maintained to ensure safe, long term operation.
- Sizes range from 0.5, 1, 1.5, 2, 3, 10, 15, and 20 tonnes.
See back for details.



We provide specialized mining and construction sales and rentals the moment you need them. With the quality and certification your company demands.

Certified Mining & Construction Sales & Rentals

810 – 57th Street East, Saskatoon SK S7K 5Z1

Toll Free: 1-(844)-384-8593

For more info email: sales@certifiedsalesandrentals.com



GET THE JOB *DONE.*



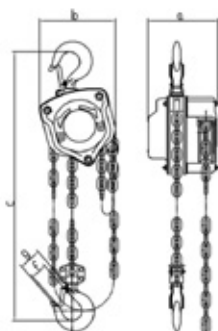
Certified Mining & Construction always has a wide array of equipment for sale or rent to help meet your needs.

Call us today at 306-384-8593

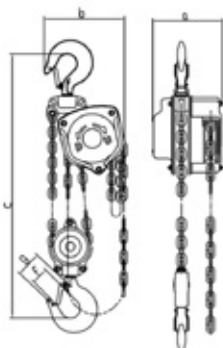
WWW.CERTIFIEDSALESANDRENTALS.COM

CHAIN HOISTS

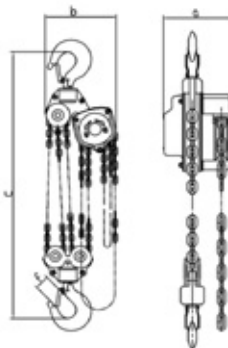
0.5t, 1t, 1.5t, 2t & 3t



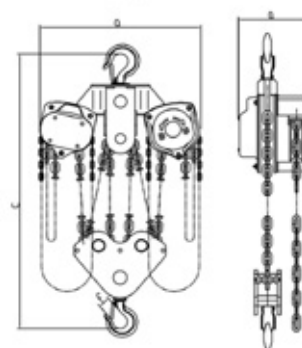
3t, & 5t



10t



20t



Capacity	(tonnes)	0.5	1	1.5	2	2	3	3	5	10	20	
Model No.		VIT05	VIT10	VIT15	VIT20V	VIT20	VIT30B	VIT30	VIT50	VIT100	VIT200	
No. of Falls		1	1	1	1	1	1	2	2	4	8	
Load Chain	(mm)	5 x 15	6.3 x 19	7.1 x 21	7.1 x 21	8 x 24	9 x 27	7.1 x 21	9 x 27	9 x 27	9 x 27	
Load Chain Grade		100	100	100	100	100	100	100	100	100	100	
Pull to Rated Load	(N)	250	330	340	450	340	380	350	390	410	410 x 2	
Proof Load	(tonnes)	0.75	1.5	2.25	3.0	3.0	4.5	4.5	7.5	15.0	25.0	
Hand Chain	(mm)	4.8 x 22 x 18							5.5 x 23.6 x 19			
Standard Lift	(m)	3	3	3	3	3	3	3	3	5	5	
Net Weight	(kg)	9.0	12.2	14.5	15.5	21.0	34.0	22.0	40.0	89.4	214.7	
Gross Weight	(kg)	9.4	12.7	15.0	16.0	22.2	34.5	22.7	41.5	96.9	225.7	
Extra Wt. per m	(kg)	1.42	1.73	1.97	1.97	2.58	2.76	3.07	4.71	8.23	16.46	
Dimensions	a (mm)	127	147	147	147	179	182	147	179	179	207	
	b (mm)	144	157	174	174	204	263	206	263	367	873	
	c (mm)	285	315	340	355	380	550	475	600	740	870	
	f (mm)	27	33	33.5	37	37	43.5	43.5	51	64	82	
	g (mm)	35	45	47	52	52	62.5	62.5	78	-	-	

Certified Mining & Construction Sales & Rentals

810 - 57th Street East, Saskatoon SK S7K 5Z1

Toll Free: 1-(844)-384-8593

For more info email: sales@certifiedsalesandrentals.com



GET THE JOB *DONE.*

Certified Mining & Construction always has a wide array of equipment for sale or rent to help meet your needs.

Call us today at 306-384-8593



CERTIFIED
MINING & CONSTRUCTION
SALES & RENTALS

WWW.CERTIFIEDSALESANDRENTALS.COM

LEVER HOISTS

We have the right Hoist for your job.

Main Features

- More compact, very robust but light weight, short lever handle and low headroom.
- Grade 100 load chain.
- Interchangeable parts for standard and overload protected hoist.
- Reasonable pulling force to rated capacity.
- Unique hand wheel & knob design.
- No preload required.
- Innovative & patent fused brake disc.
- Heavy duty cast latches.
- **Improved hook tip design.**
- Caged roller bearings on load sprocket.
- Phosphoric surface treatment for the #3 driving shaft.
- Sizes range from 0.8, 1, 1.6, 2.5, 3.2, 6.3, and 9 tonnes.



We provide specialized mining and construction sales and rentals the moment you need them. With the quality and certification your company demands.

Certified Mining & Construction Sales & Rentals

810 – 57th Street East, Saskatoon SK S7K 5Z1

Toll Free: 1-(844)-384-8593

For more info email: sales@certifiedsalesandrentals.com



GET THE JOB *DONE.*

Certified Mining & Construction always has a wide array of equipment for sale or rent to help meet your needs.

Call us today at 306-384-8593

CERTIFIED
MINING & CONSTRUCTION
SALES & RENTALS

WWW.CERTIFIEDSALESANDRENTALS.COM

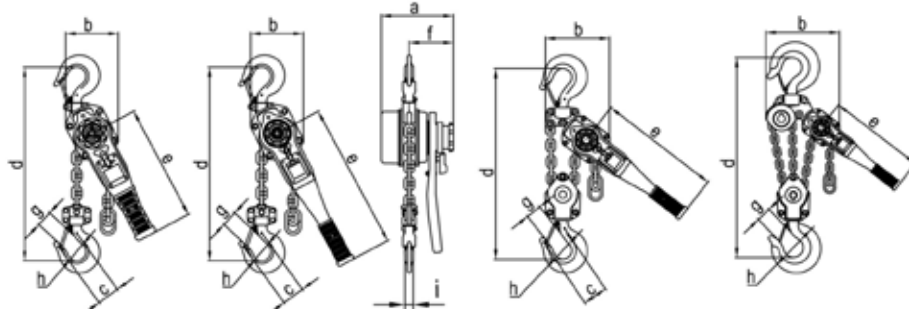
LEVER HOISTS

0.8t, 1t, 1.6t & 2.5t

3.2t

6.3t

9t



Capacity	(tonnes)	0.8	1	1.6	2.5	3.2	6.3	9
Model No.		KV008	KV010	KV016	KV025	KV032	KV063	KV090
No. of Falls		1	1	1	1	1	2	3
Load Chain	(mm)	5.6 x 15.7	5.6 x 15.7	7.1 x 19.9	8.8 x 24.6	10 x 28	10 x 28	10 x 28
Pull to Rated Load	(N)	215	294	304	363	372	382	392
Proof Load	(tonnes)	1.2	1.5	2.4	3.8	4.8	9.5	13.5
Standard Lift	(m)	1.5	1.5	1.5	1.5	1.5	1.5	1.5
Net Weight	(kg)	5.7	5.9	8.0	11.2	13.6	26.0	40.0
Gross Weight	(kg)	6.1	6.3	8.5	11.6	14.2	26.6	46.5
Extra Wt. per m	(kg)	0.7	0.7	1.1	1.7	2.3	4.7	7
Dimensions	a (mm)	146	146	164	179	196	196	196
	b (mm)	119	119	126	150	159	218	298
	c (mm)	41.5	49.4	52	58.6	61.9	84.3	-
	d (mm)	280	300	335	375	395	540	680
	e (mm)	245	245	265	265	415	415	415
	f (mm)	96	96	100	103	114	114	114
	g (mm)	26.5	31.5	35.5	41	43	53	64
	h (mm)	35.5	42.5	42.5	47	50	60	85
	i (mm)	14	15	19	21	24.5	34	40

Certified Mining & Construction
Sales & Rentals

810 - 57th Street East, Saskatoon SK S7K 5Z1

Toll Free: 1-(844)-384-8593

For more info email: sales@certifiedsalesandrentals.com



GET THE JOB *DONE.*